



# Architectural Glazing Systems

**Marlon  
Clickfix**

**Marlon  
Toploc**

 **Brett  
Martin**

DESIGNING FOR DAYLIGHT



# ARCHITECTURAL POLYCARBONATE GLAZING SYSTEMS

## INTRODUCTION

- 03 Our Reputation
- 04 Guaranteed Performance
- 06 BioPlus
- 08 Versatility in Design
- 10 Specifying Daylight
- 12 Energy Saving
- 14 The Complete Glazing Solution
- 16 Design Consultancy
- 18 System Selector

## MARLON CLICKFIX

- 20 Marlon Clickfix
- 22 Panel Options & Properties
- 24 VF55 Installation
- 26 VF70 Installation
- 28 VF90 Installation

## MARLON TOPLOC

- 30 Marlon Toploc
- 32 Panel Options & Properties
- 34 Standing Seam System
- 36 Flush Surface System

## POLYCARBONATE

- 38 Mechanical Properties
- 39 General Guidelines

## OUR REPUTATION

With over 60 years' experience, Brett Martin has earned a global reputation for the quality and performance of its Marlon polycarbonate glazing, cladding and roofing solutions in architecture.

Using this expertise, Brett Martin has extended this experience into the design and development of the Marlon Architectural Polycarbonate Glazing Systems.

The Marlon range of Architectural Polycarbonate Glazing Systems are manufactured in Brett Martin's own UK based BSI quality approved factories, powered by 50% renewable energy, to meet and exceed the latest industry and legislative requirements.



# Guaranteed Performance

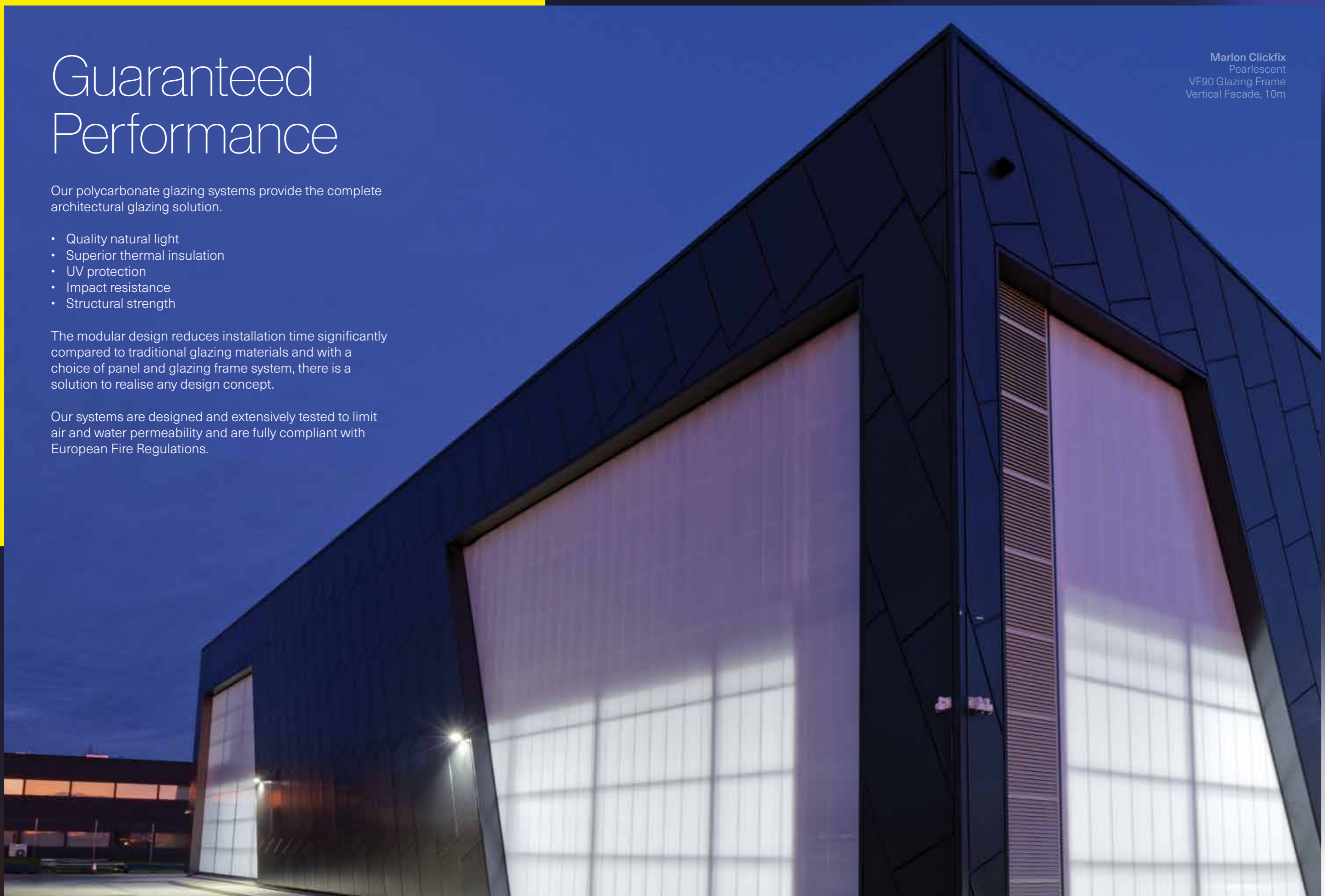
Our polycarbonate glazing systems provide the complete architectural glazing solution.

- Quality natural light
- Superior thermal insulation
- UV protection
- Impact resistance
- Structural strength

The modular design reduces installation time significantly compared to traditional glazing materials and with a choice of panel and glazing frame system, there is a solution to realise any design concept.

Our systems are designed and extensively tested to limit air and water permeability and are fully compliant with European Fire Regulations.

Marlon Clickfix  
Pearlescent  
VF90 Glazing Frame  
Vertical Facade, 10m



Credit: Studio Spicer - Architect | Chris Fossey - Photographer

# REDUCING EMBODIED CARBON



## Next level sustainability, available now

Specify the Marlon BioPlus option to reduce the embodied carbon in your project.

By switching from fossil based PC to resins certified as being produced from 89% bio-circular attributed material via mass balancing, we can offer Polycarbonate sheets with dramatically reduced impact on the environment.

The effect of using climate neutral resins in sheet manufactured with 100% renewable energy significantly reduces the embodied carbon associated with these systems.



ISCC PLUS certified.  
Climate neutral, bio-circular  
attributed resin.

89%

Replacement of fossil  
based raw material.

100%

Renewable energy used in  
resin and sheet production.





# Versatility in Design

Offering flexibility and freedom in design and application, our range of architectural polycarbonate glazing systems provide solutions for vertical, pitched or curved applications.

Create stunning seamless façades up to 12m in unlimited lengths with continuous corners. Cold curve on-site to make a dramatic curved rooflight with standing seam feature. Transform a dull internal space by incorporating a glazing system that floods the building with natural daylight by day and transforms into a striking lightbox at night.

Building designers can create contemporary architectural statements in schools, industrial buildings, leisure and retail facilities with imaginative use in façades, rooflights, rainscreens and canopies.

## Application Type



Vertical Facade



Pitched Rooflight



Curved Rooflight



## Surface Finish



Flush Finish



Standing Seam Finish

# Specifying Daylight

Good quality natural daylight has been proven to be beneficial to the well-being and performance of those who occupy the building. Research proves what common sense suggests, that improved natural daylight has important physiological benefits resulting in brighter students, increased industrial productivity and higher retail sales.

Marlon Clickfix  
Glass Clear & Blue BP  
VF90 Glazing Frame



Up to  
**74%**  
Light Transmission

Our architectural polycarbonate glazing systems have been designed to achieve optimal solar performance. The translucency of the polycarbonate panels provides a quality diffused light transmission devoid of solar glare for even light distribution and visual comfort. What's more, light transmitting and thermal properties combine to control solar gain for a comfortable thermal environment.

# Energy Saving

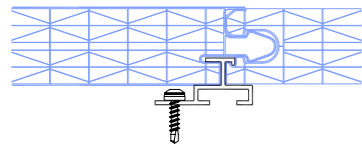
Our architectural glazing panels are manufactured from premium multiwall polycarbonate with insulating internal walls. This means there is significantly less thermal conductivity in the panel resulting in a lower U value for a more energy efficient building.

This is further enhanced by the energy saving benefits of natural daylight. By admitting natural daylight into a building, our range of Marlon Architectural Glazing Systems reduce the need for artificial lighting. So when used with lighting controls the systems can assist in reducing the energy consumption of a building even further.

Choose from Marlon Clickfix 40mm 10wall panels for a U-value of 0.99 W/m<sup>2</sup>K or Marlon Toploc 16mm 7wall panels for a U value of 1.78 W/m<sup>2</sup>K.

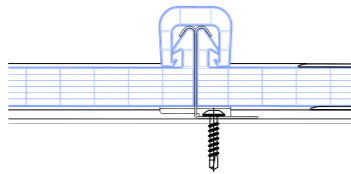
U 0.99W/m<sup>2</sup>K

Marlon Clickfix 40mm



U 1.78W/m<sup>2</sup>K

Marlon Toploc 16mm



Marlon Clickfix  
Pearlescent





Marlon Clickfix  
Pearlescent  
VF90 Glazing Frame

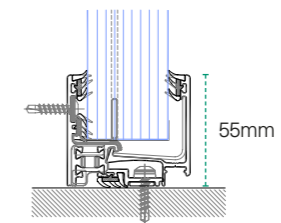
# The Complete Glazing Solution

Our choice of installation accessories and glazing frame systems fully complement our multiwall modular glazing panels to provide the complete architectural glazing solution.

Custom made clips and brackets secure the panels without the need to fix directly through the panel, allowing for free thermal movement. Standard side and edge profiles are available for straightforward installation of our 16mm 7wall panels. For installation requiring the support of a glazing frame system there are two options:

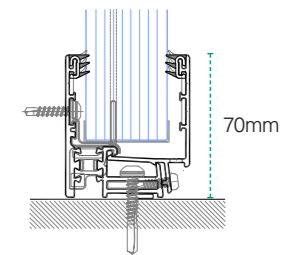
## VF55

**VF55 Glazing Frame System**  
Façades up to 6m



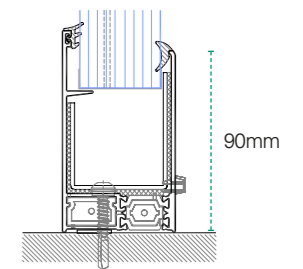
## VF70

**VF70 Glazing Frame System**  
Façades up to 8m



## VF90

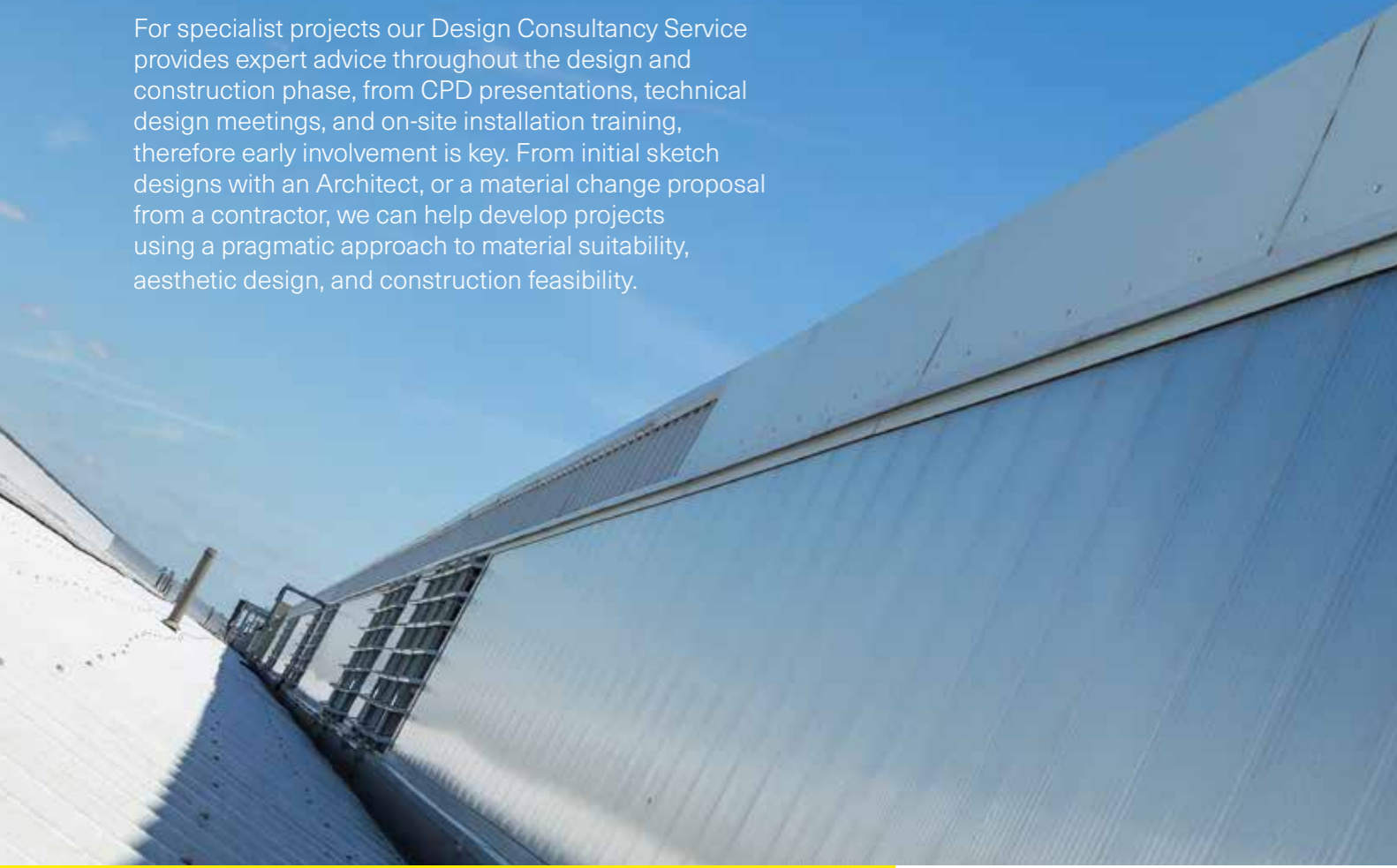
**VF90 Glazing Frame System**  
Façades up to 12m





# Design Consultancy

For specialist projects our Design Consultancy Service provides expert advice throughout the design and construction phase, from CPD presentations, technical design meetings, and on-site installation training, therefore early involvement is key. From initial sketch designs with an Architect, or a material change proposal from a contractor, we can help develop projects using a pragmatic approach to material suitability, aesthetic design, and construction feasibility.



## BELFAST WATERFRONT, UK

### Project

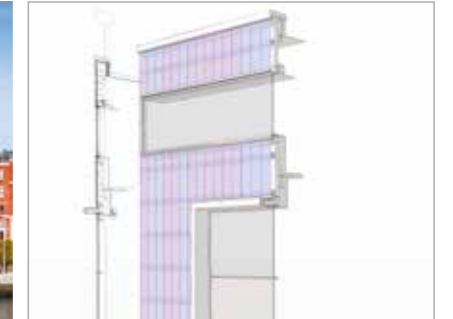
£29.5m extension which includes conference and meeting facilities

### Solution

1750m<sup>2</sup> of Marlon Clickfix wrapped over 150m long riverfront façade

### Architect

TODD Architects



## CARDIFF ICE ARENA, UK

### Project

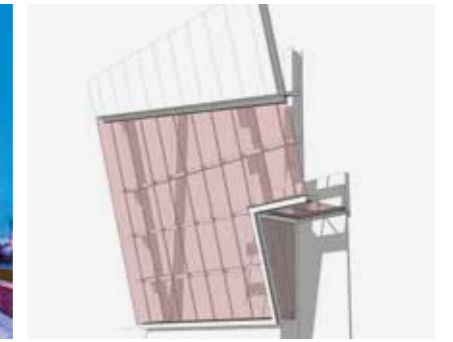
Building redevelopment project

### Solution

450m<sup>2</sup> of Marlon Clickfix in irregular shapes on the walls

### Architect

Scott Brownrigg



## UMFS SPORTS HALL, ICELAND

### Project

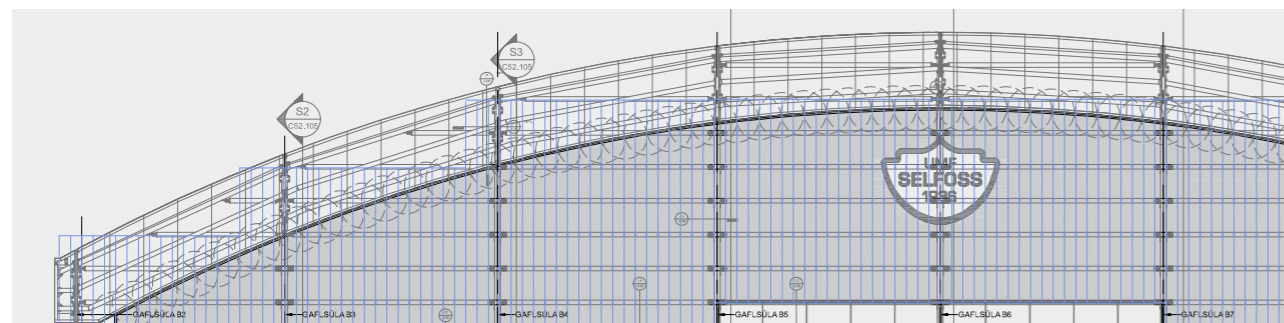
New construction of a multi-use sports hall in at UMFS's site in Selfoss, Iceland

### Solution

1300m<sup>2</sup> of glass clear Marlon Clickfix to glaze both curved end gables of the building

### Architect

Alark Architects ehf.



## DUQM AIRPORT, OMAN

### Project

Construction of passenger terminal at Duqm Airport

### Solution

Blue Marlon Clickfix applied on 37m Air Traffic Control Tower

### Architect

Hamza Associates



# System Selector

**Loading Specification:** Please consult our Technical Department for project specific loading design advice.

## 1 Step One Choose Application

## 2 Step Two System Properties

## 3 Step Three Choose Application

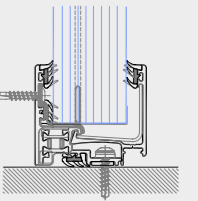
Application	Configuration	U-Value	Aspect	Length / Height Max	LT%	System	Pg	
FAÇADE	Single		In-Plane	6	52	Marlon Clickfix VF55	24	
		0.99	In-Plane	8	52	Marlon Clickfix VF70	26	
			In-Plane	12	52	Marlon Clickfix VF90	28	
		1.78	Standing Seam	12	64	Marlon Toploc Standing Seam	34	
			In-Plane	12	64	Marlon Toploc Flush Finish	36	
	Double		In-Plane	6	27	Marlon Clickfix VF55	24	
		0.49	In-Plane	8	27	Marlon Clickfix VF70	26	
			In-Plane	12	27	Marlon Clickfix VF90	28	
		0.88	Standing Seam	12	41	Marlon Toploc Standing Seam	34	
			In-Plane	12	41	Marlon Toploc Flush Finish	36	
ROOFLIGHTS	Single		Standing Seam	12	64	Marlon Toploc Standing Seam	34	
		1.78	In-Plane	12	64	Marlon Toploc Flush Finish	36	
	Double		Standing Seam	12	41	Marlon Toploc Standing Seam	34	
		0.88	In-Plane	12	41	Marlon Toploc Flush Finish	36	
	CANOPIES	Single		Standing Seam	12	64	Marlon Toploc Standing Seam	34
			1.78	In-Plane	12	64	Marlon Toploc Flush Finish	36

Note: Spanning capacity is deflection limited and derived from support method, consult system pages for load tables.

## Range of Systems

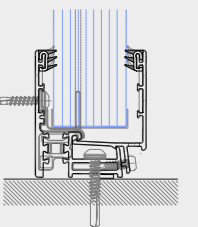
### Marlon Clickfix VF55

- Size**
- 40mm Tenwall
  - Cover width 500mm
  - Vertical facade
  - Installations up to 6m



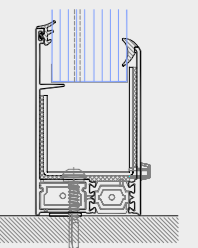
### Marlon Clickfix VF70

- Size**
- 40mm Tenwall
  - Cover width 500mm
  - Vertical facade
  - Installations up to 8m



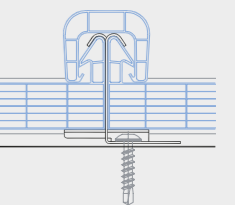
### Marlon Clickfix VF90

- Size**
- 40mm Tenwall
  - Cover width 500mm
  - Vertical Facade
  - Installations up to 12m



### Marlon Toploc Standing Seam

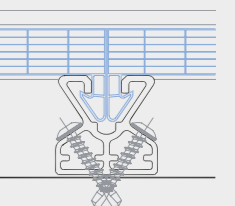
- Size**
- 16mm 7wall
  - Cover width 600mm



Marlon Toploc panels are also available in 8mm 4wall. See page 32 for details.

### Marlon Toploc Flush Finish

- Size**
- 16mm 7wall
  - Cover width 600mm



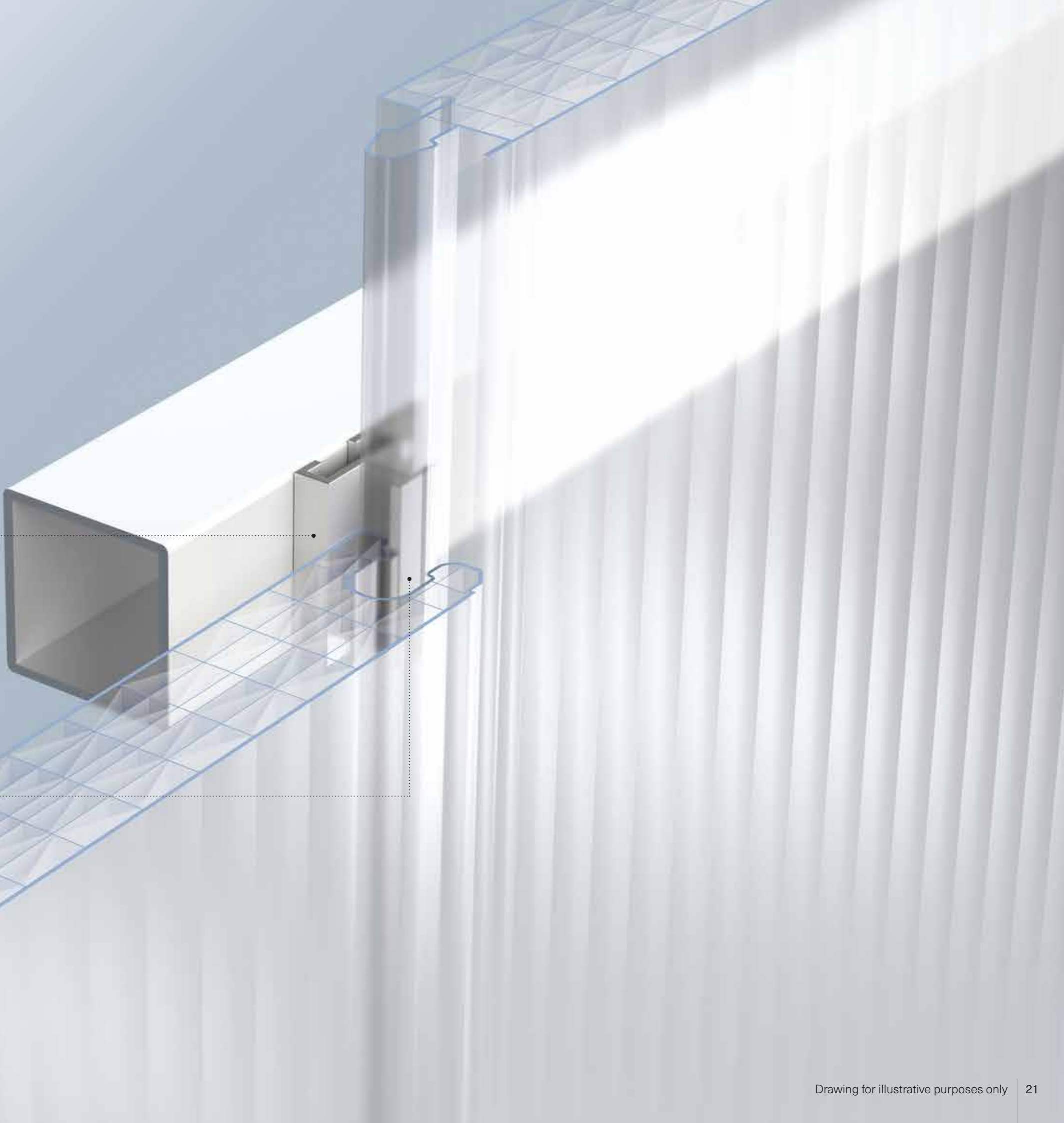
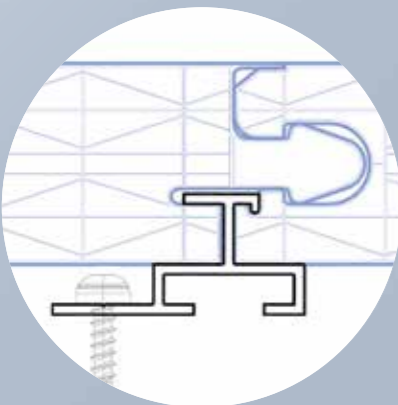
Marlon Toploc panels are also available in 8mm 4wall. See page 32 for details.

# Marlon Clickfix

This 40mm interlocking modular polycarbonate panel, used in vertical applications to create dramatic seamless façades, comes with a choice of glazing frame options. Choose from the VF55, VF70 or VF90 glazing frames to suit application.

Aluminium Clip

Marlon Clickfix Interlocking Polycarbonate Panel



# Marlon Clickfix

Also Available  
**Marlon BioPlus** 



## Key Benefits

- 40mm 10wall modular polycarbonate glazing system
- Create dramatic seamless façades and continuous corners
- Thermally insulating, U value 0.99 W/m<sup>2</sup>K
- Superb spanning capabilities
- Suitable for vertical façades and partitions

## Light Transmission

Colour	LT	SHGC	SC
Clear (S)	52%	0.42	0.48
Clear LE (g)	52%	0.42	0.48
Pearlescent (PW)	44%	0.28	0.32

Special colours and colour matching available on request. Minimum order quantities apply.

## Panel Details & Properties

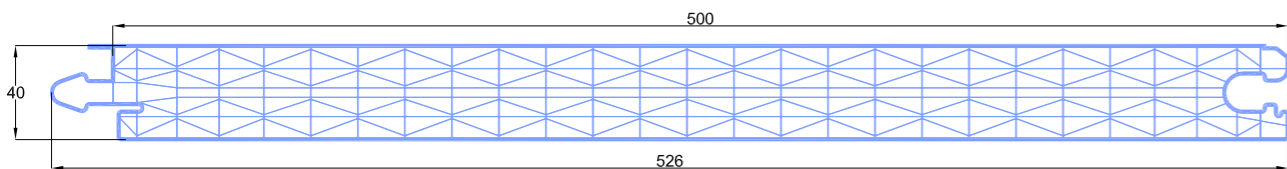
Panel Thickness	40mm
Panel Structure	10wall
Modular Width	500mm (nominal)
Overall Width	526mm (nominal)
Maximum sheet length	12m
Thermal Insulation	0.99W/m <sup>2</sup> K
Weight	4.3kg/m <sup>2</sup>
Fire Performance	B-s1,d0 to EN13501-1
Minimum Cold Curving Radius	Contact Technical Department
UV Protection	Single or double sided
Warranty	Limited warranty

## Spanning Detail

Load (kN/m <sup>2</sup> )	Span (m)
0.5	2.37
1.0	1.99
1.5	1.74
2.0	1.39

All figures relate to double spanning, for additional information please contact the technical department.

## Panel Structure & Dimensions



Marlon Clickfix is the architectural glazing system used for vertical façades. The 40mm 10wall panels are extruded with an interlocking connection mechanism for swift installation. The panels simply click and fix together with no need for glazing profiles between panels. The result is a completely seamless facade.



# Marlon Clickfix VF55

## Installation Façades up to 6m (VF55 Glazing System)

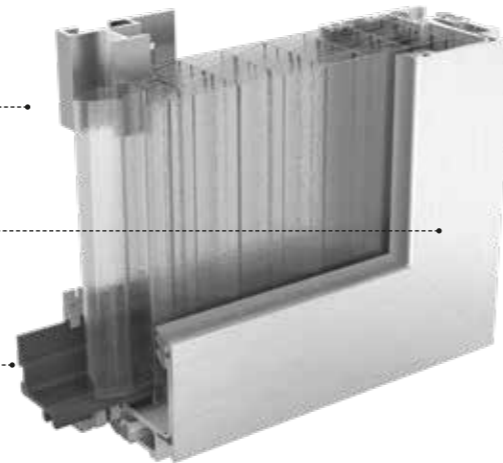
### Key Features

- Discrete 55mm profile for façades up to 6m
- Unique patented two part glazing profile system
- Glazing panels sit into system without rotation
- Water managed via hidden drainage channel
- Pre-formed 90° corners
- Same profile across all orientations

AC 401 E50 Purlin Clip

Pre-fabricated corner section

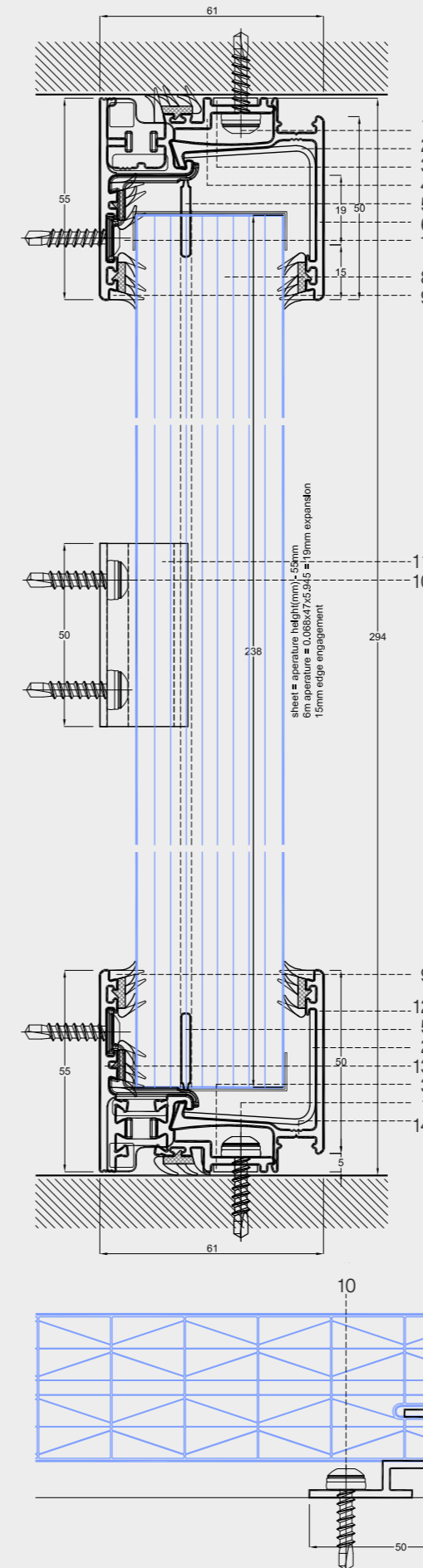
AC 416 B/G Linear Sealing Bracket



### System Components



## INSTALLATION DETAILS



1. A4 stainless steel profile fastener, base/head - by others
2. Exterior profile alignment bracket - AC419
3. Butyl sealing tape
4. Non-thermally broken interior profile - AC412/A4
5. Interior profile sealing bracket - AC416
6. Exterior profile - AC413/2
7. A4 stainless steel interior profile fastener - by others
8. 40mm 10wall Marlon Clickfix interlocking panel
9. Co-extruded interlocking TPE gasket - AC420
10. A4 stainless steel purlin fastener - by others
11. 50mm Aluminium purlin clip - AC401E50
12. Exterior aluminium drainage profile - AC413/2/D
13. Thermally broken interior profile - AC424/4
14. Location of concealed drainage slots

Note: All support, flashing, fixings and installation to be specified and supplied by others.

# Marlon Clickfix VF70

## Installation Façades up to 8m (VF70 Glazing System)

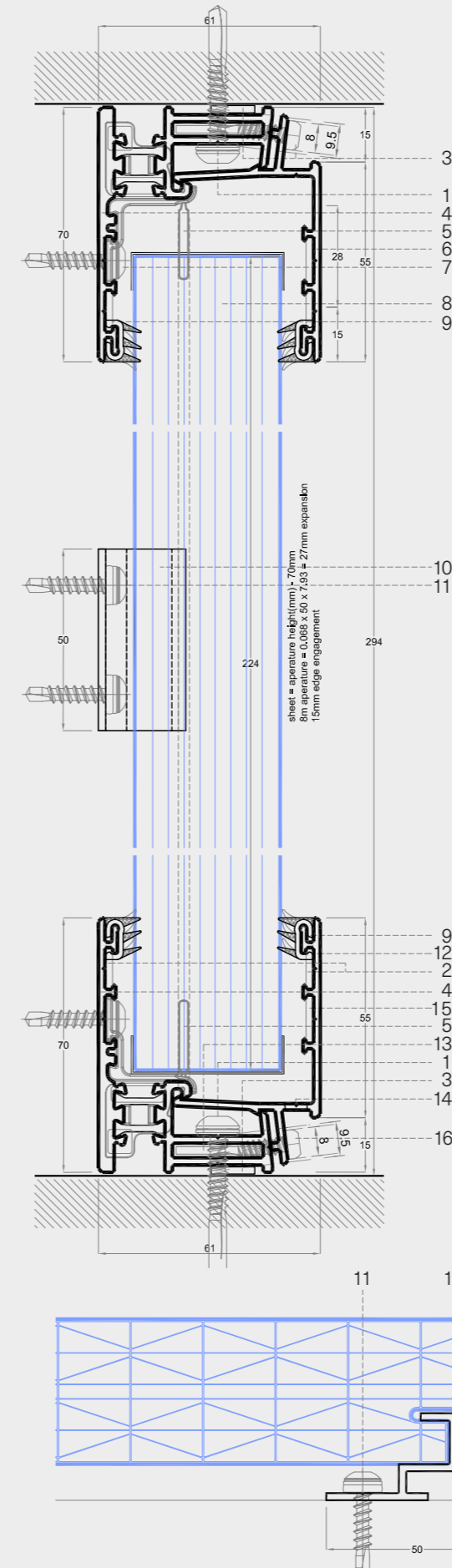
### Key Features

- 70mm profile sight light allowing longer façades up to 8m
- Two part glazing profile, registered design
- Thermally broken
- Simplified installation sequence
- Fixed through base or direct to purlin
- Shared coextruded high temperature dynamic grey TPV gasket (Santoprene)
- Water managed and drained via hidden slot in shadow gap
- Reinforced pre-formed 90 degree corners
- Same profile used in all orientations

### System Components



## INSTALLATION DETAILS



1. A4 stainless steel profile fastener - by others
2. Interior and exterior stainless steel profile alignment bracket
3. Butyl sealing tape
4. Thermally broken interior profile
5. Interior profile sealing bracket
6. Exterior aluminium profile
7. Optional A4 stainless steel interior profile fastener - by others
8. 40mm 10wall Marlon Clickfix interlocking panel
9. Co-extruded interlocking TPV gasket
10. 50mm Aluminium purlin clip
11. A4 stainless steel purlin fastener - by others
12. Exterior aluminium drainage profile
13. SS 3mm alignment bar
14. Location of concealed drainage slots
15. Interior and exterior stainless steel corner bracket
16. Stainless steel fastener - by others

Note: All support, flashing, fixings and installation to be specified and supplied by others.

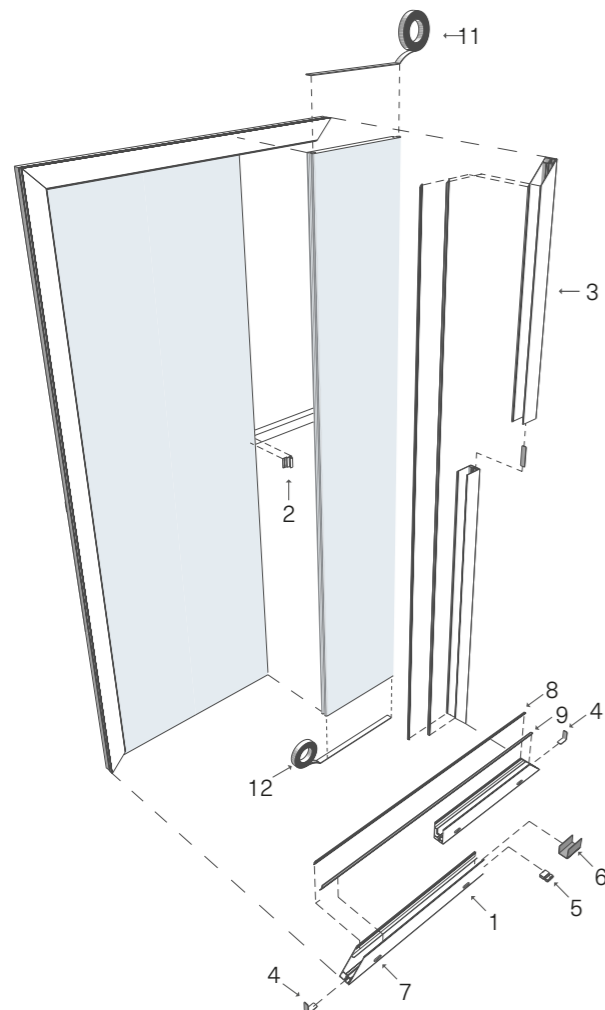
# Marlon Clickfix VF90

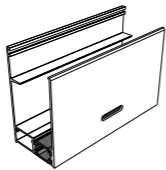
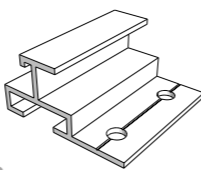

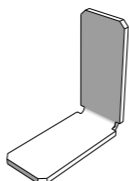
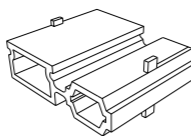
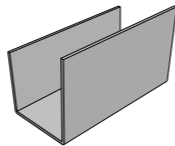
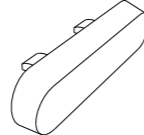
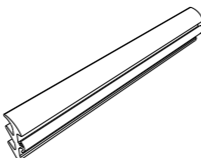
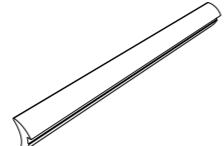



## Installation Façades up to 12m (VF90 Glazing System)

### Key Features

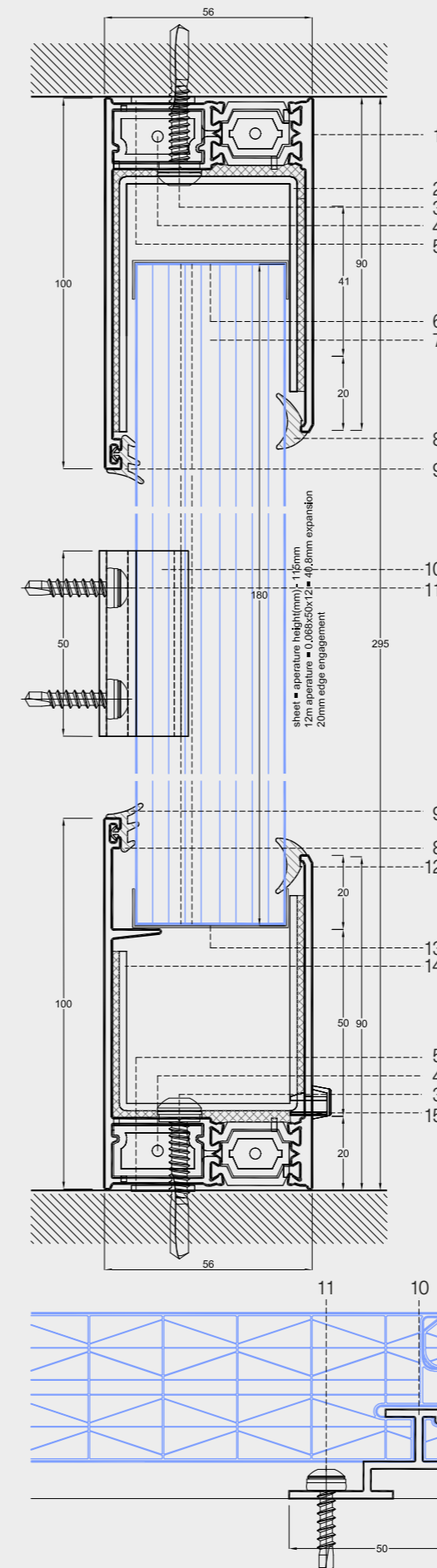
- 90mm deep profile increases void for polycarbonate thermal expansion allowing façades up to 12m in height
- Thermally broken U profile
- Water managed system, with machined external drainage slots
- Coextruded TPE barbed gasket
- Sealing alignment brackets between profiles

### System Components



- |  |  |
|--|--|
| <br><b>1</b><br>AC 403 BMD<br>Thermally Broken Base<br>Profile Slotted | <br><b>2</b><br>AC 401 E50<br>Purlin Clip             |
| <br><b>3</b><br>AC 402 BMD Thermally<br>Broken, Top & Side<br>Profile  | <br><b>4</b><br>AC 402 CCB Corner<br>Connector        |
| <br><b>5</b><br>AC 402 MCB Straight<br>Profile Connector             | <br><b>6</b><br>AC403 BBS<br>Butt Strap Connector   |
| <br><b>7</b><br>AC 403 BVCG Drainage<br>Slot Vent Covers             | <br><b>8</b><br>AC 404 B<br>Interior "E" Gasket     |
| <br><b>9</b><br>AC 405 B<br>Exterior Wedge Gasket                    | <br><b>10</b><br>305 839<br>Click Seal Butyl Mastic |
| <br><b>11</b><br>AC 406 E<br>Sealing Tape                            | <br><b>12</b><br>AC 407 E<br>Ventilating Tape       |

## INSTALLATION DETAILS



1. Thermally broken top and side profile - AC402BMD
2. Top and side profile sealing bracket - AC402TSBS
3. A4 stainless steel profile fastener - by others
4. Top and side junction bracket - AC402MCB
5. Click seal butyl tape - 305839
6. Die cut sealing tape
7. 40mm 10wall Marlon Clickfix interlocking panel
8. Exterior wedge gasket - AC405B
9. Internal E gasket - AC404B
10. 50mm Aluminium purlin clip - AC401E50
11. A4 stainless steel purlin fastener - by others
12. Thermally broken base profile - AC403BMD
13. Die cut ventilating tape
14. Base profile sealing bracket - AC403BBS
15. Drainage slot cover cap - AC403BVC

Note: All support, flashing, fixings and installation to be specified and supplied by others.

Silicone Sealant

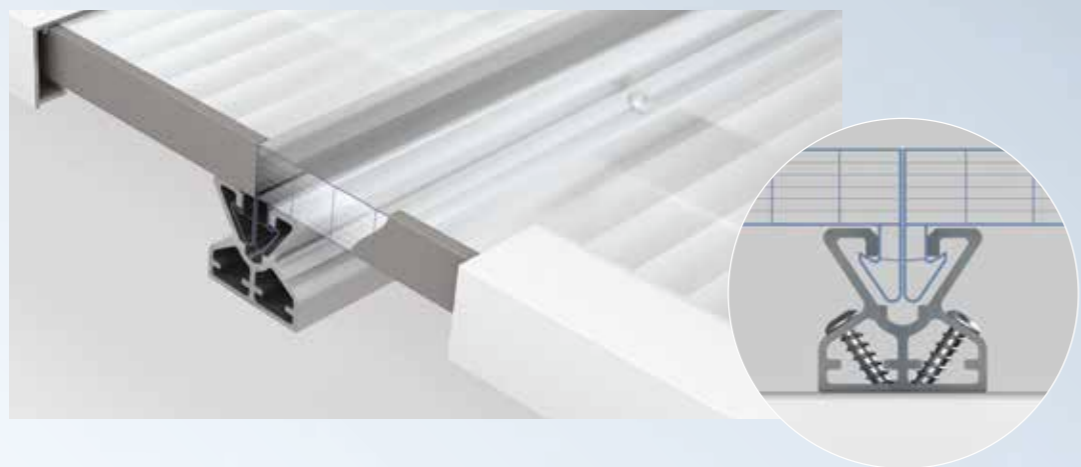
Polycarbonate Connecting Cap

Aluminium U Profile

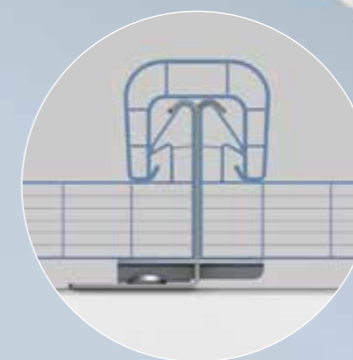
Breather Tape

# Marlon Toploc

This multiwall modular polycarbonate panel is used in two efficient glazing systems to offer either a standing seam or flush surface finish to optimise performance in both vertical and horizontal applications.



Flush Surface Finish

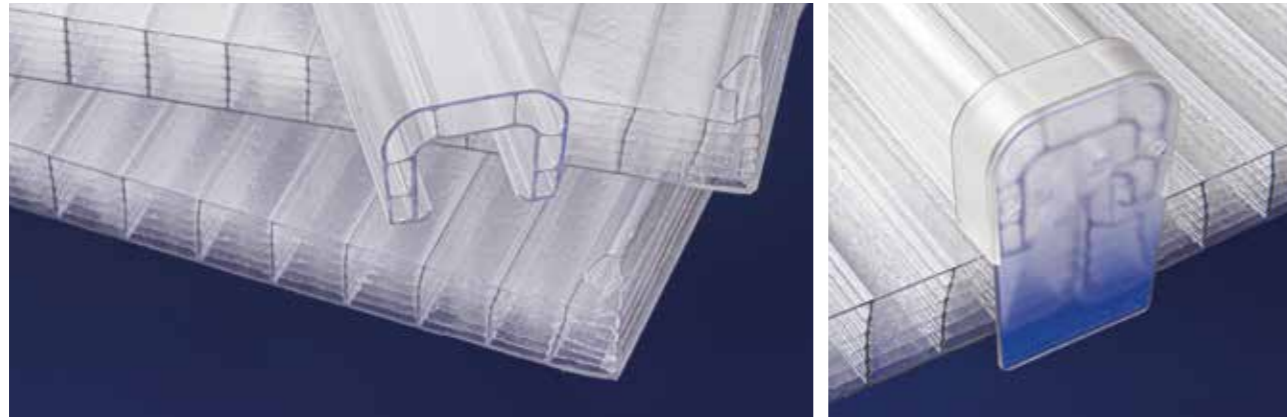


Standing Seam Finish



# Marlon Toploc

Also Available  
**Marlon BioPlus**



Marlon Toploc is a highly versatile architectural polycarbonate glazing system suitable for use in vertical, pitched or curved installations.

The multiwall panels are extruded with an upright connecting profile that can be installed facing externally to create a stand seam feature or reversed and installed facing internally to create a seamless glazing finish.

## Key Benefits

- Choice of glazing panel – 8mm or 16mm
- Highly versatile system
- Can be adapted into a number of configurations
- Suitable for cold curving
- Thermally insulating multiwall panels

## Panel Details

Cover width	600mm (nominal)
Non-fragility Classification	Consult technical department
Fire Performance	B-s1, d0 to EN13501-1
Recommended Min Pitch	5°
Min Cold Curving Radius	4000mm
UV Protection	Double sided as standard
Warranty	Limited warranty

## Solar Transmission Properties

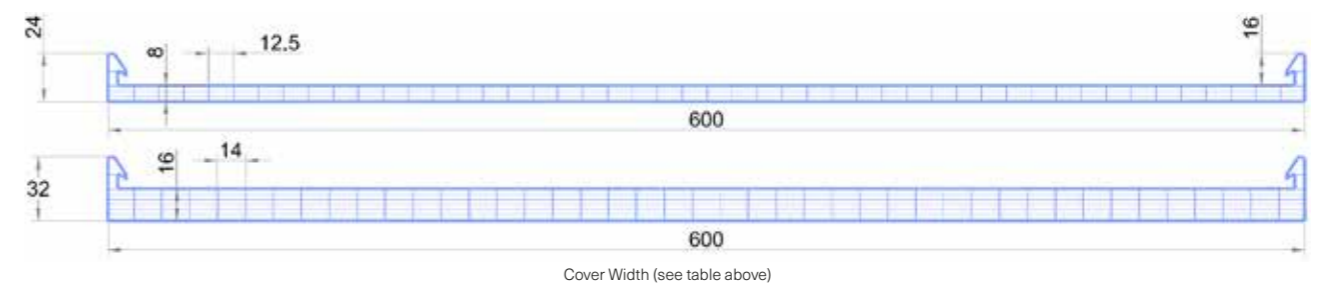
### 8mm Fourwall

Color	Direct Solar Transmission	Solar Energy Reflectance	Solar Energy Absorption	Solar Factor	Shading Coefficient	Solar Heat Gain Coefficient	Light Transmission
Clear	70%	18%	12%	73%	0.84	0.72	74
Bronze	41%	13%	46%	53%	0.61	0.53	30
Opal	52%	37%	11%	55%	0.63	0.54	50
Heatguard EG	45%	11%	44%	57%	0.65	0.56	41
Pearlescent	38%	33%	29%	46%	0.53	0.45	60

### 16mm Sevenwall

Color	Direct Solar Transmission	Solar Energy Reflectance	Solar Energy Absorption	Solar Factor	Shading Coefficient	Solar Heat Gain Coefficient	Light Transmission
Clear	60%	24%	16%	64%	0.74	0.64	64
Opal	35%	38%	27%	42%	0.49	0.42	37
Pearlescent	37%	33%	30%	45%	0.52	0.45	56

## Panel Structure & Dimensions



## APPLICATION ASSEMBLIES

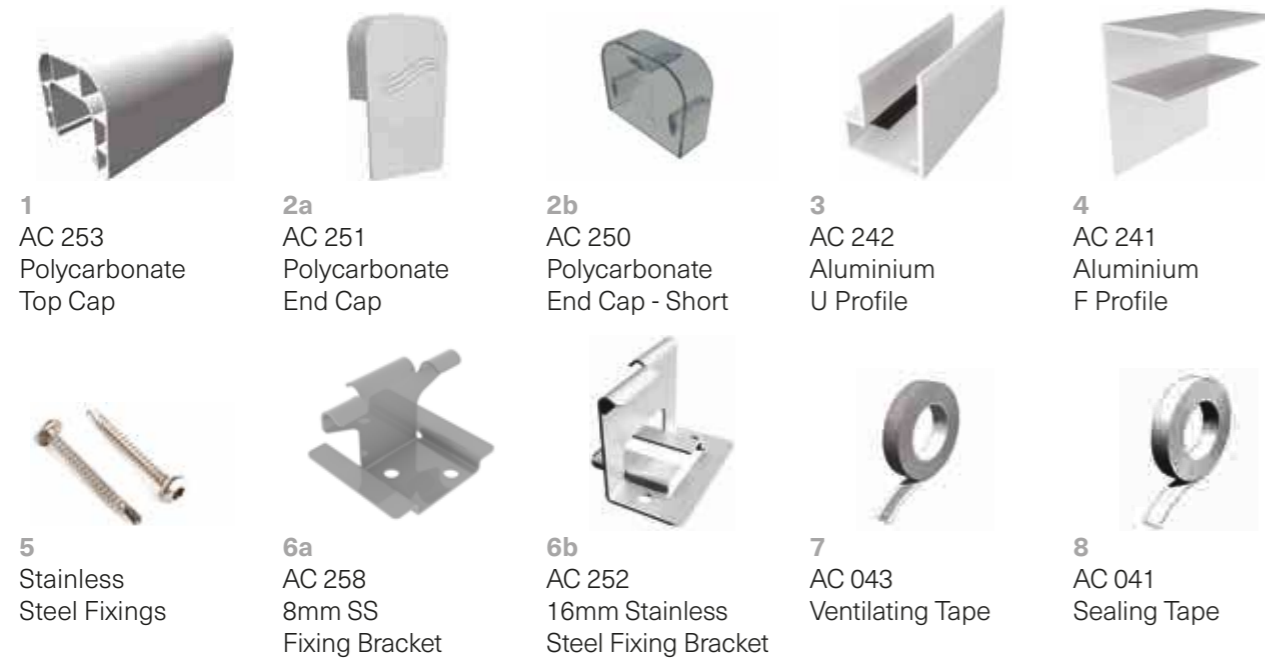
	Curved Rooflight Minimum cold curving radius 4000mm	Pitched Rooflight Minimum pitch 5°	Vertical Façade
FLUSH FINISH Internal Aluminium Mullion			
STANDING SEAM External Polycarbonate Cap			

Can be used with the VF55, VF70 and VF90 glazing frames.

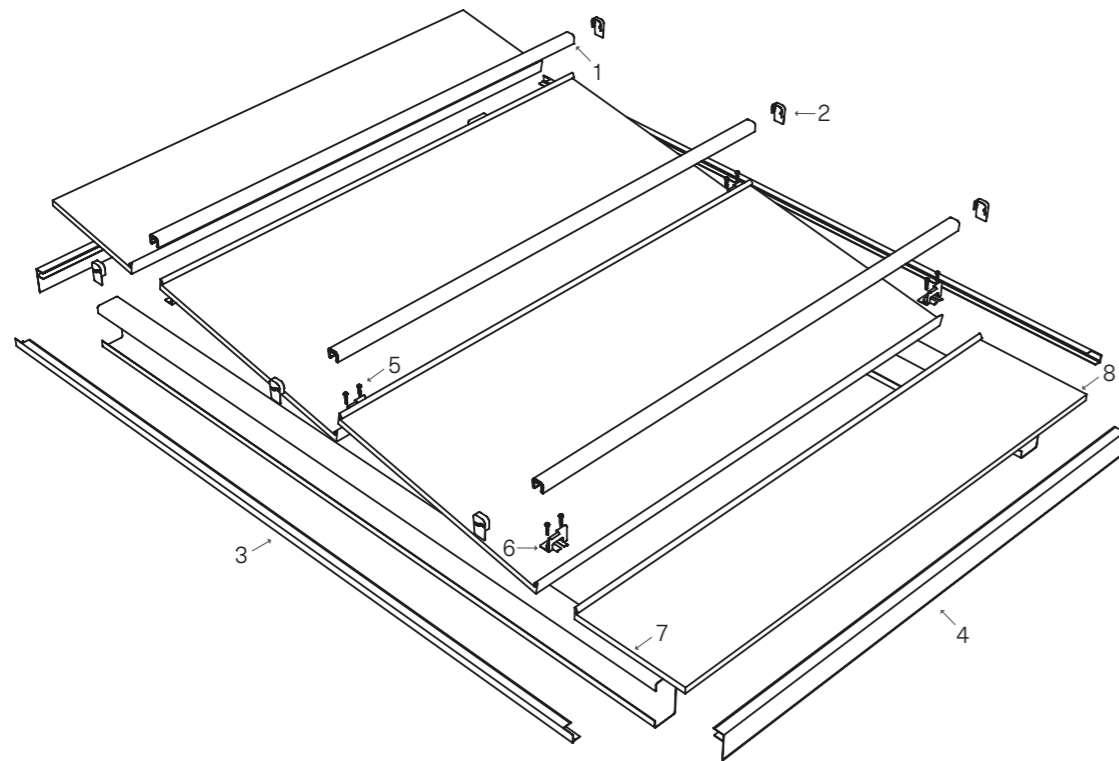
# Marlon Toploc

## Standing Seam System

### System Components

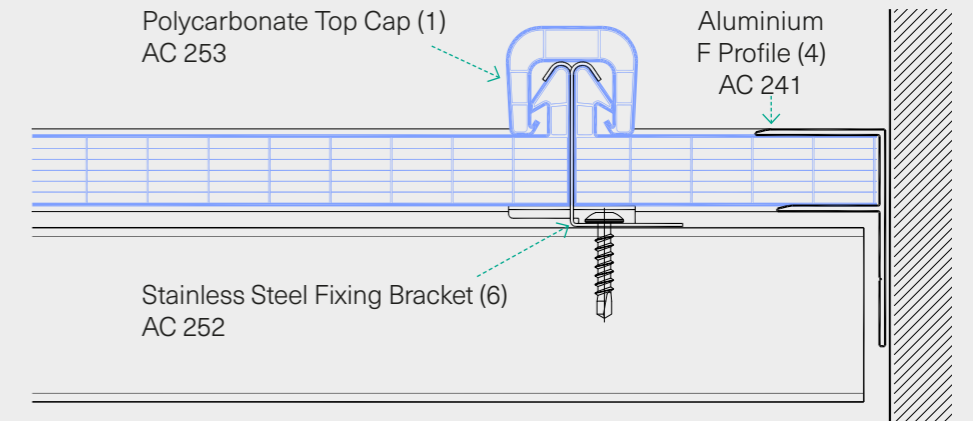


### Standing Seam Roof



## INSTALLATION DETAILS

Purlin supported with stainless steel clip and polycarbonate cap.



### Spanning

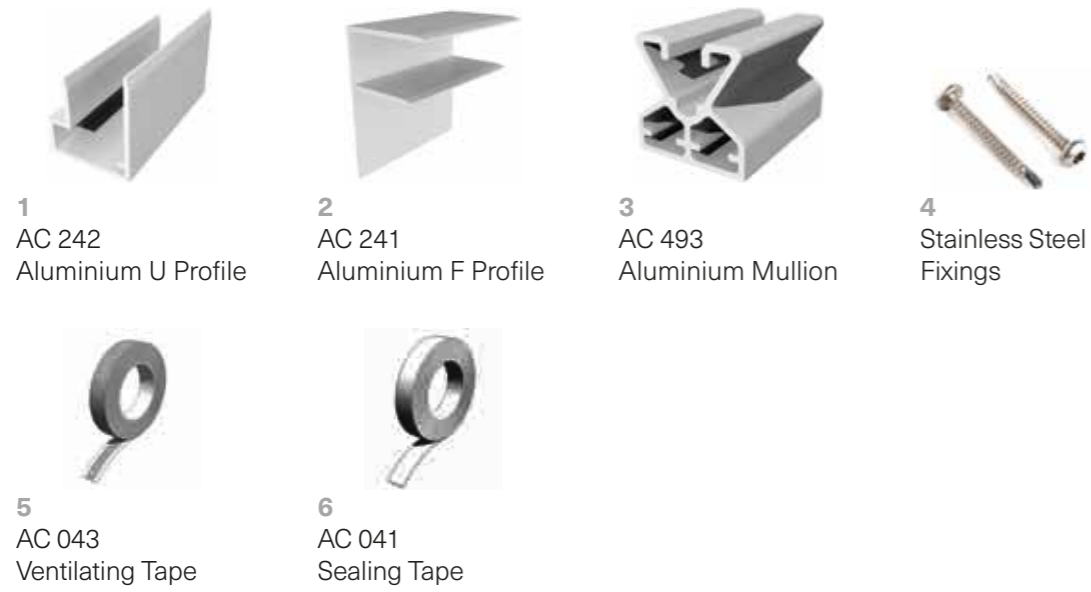
It is vital that accurate wind and snow loads are used when calculating spanning details. Please contact the Technical Department for spanning details for your specific project.



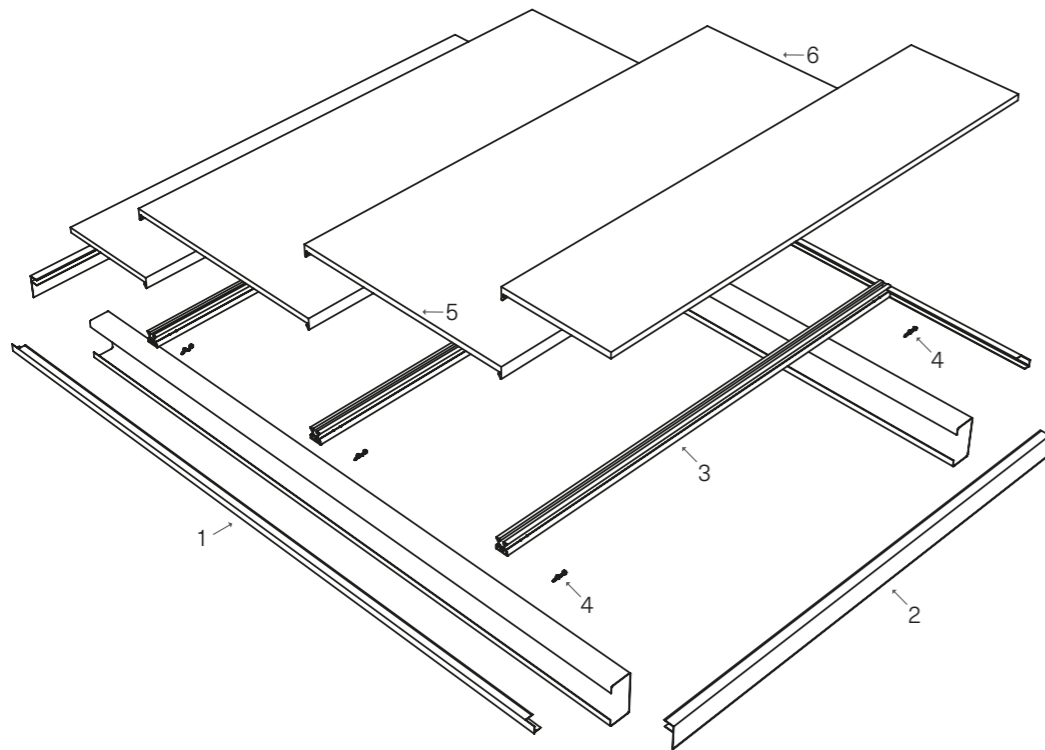
# Marlon Toploc

Flush Surface System

## System Components

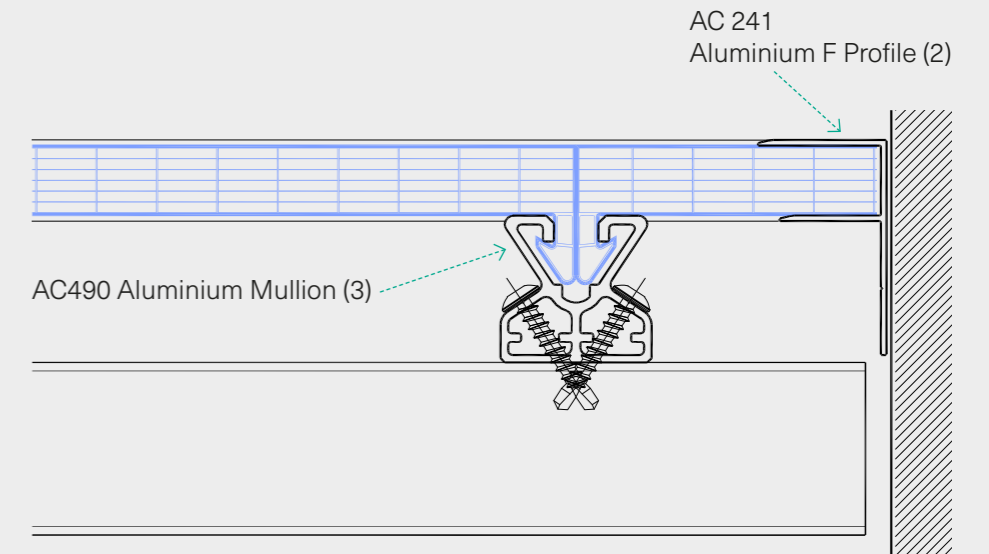


## Standing Seam Roof



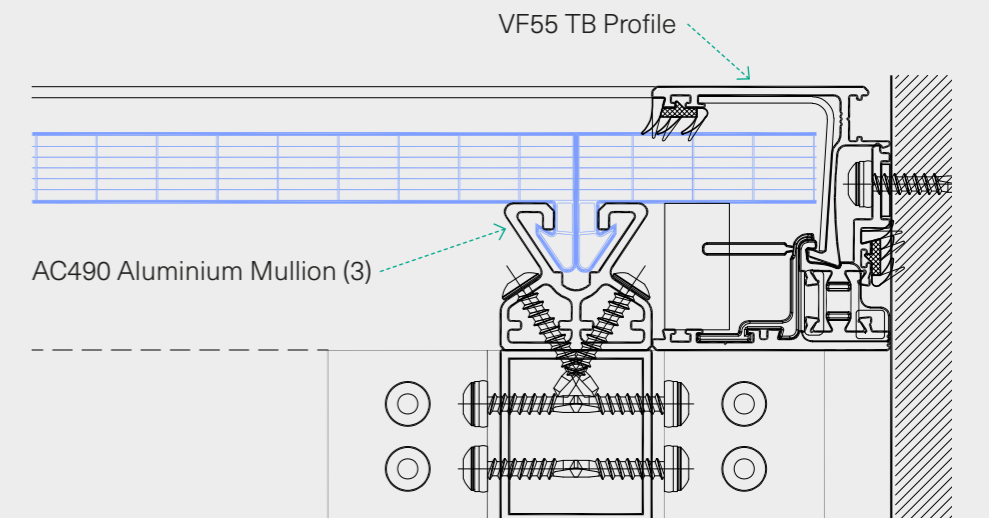
## INSTALLATION DETAILS

Purlin Supported with continuous vertical aluminum mullion support at each panel junction.



## SUITABLE FOR USE WITH VF55 & VF90 GLAZING FRAME SYSTEMS

Mullion Supported with secondary continuous vertical aluminum mullion support at each panel junction.



### Spanning

It is vital that accurate wind and snow loads are used when calculating spanning details. Please contact the Technical Department for spanning details for your specific project.

# Polycarbonate Mechanical Properties

## Strength & Damage Resistance



Damage to glazing can be hazardous and expensive but our Multiwall Systems manufactured from Marlon polycarbonate offer excellent protection against hailstones, vandalism and accidental damage with an impact resistance up to 200 times greater than glass. This characteristic is maintained over a broad temperature range and prolonged service life. The Marlon polycarbonate panels will retain their physical properties in extreme weather conditions making them the ideal glazing solution for projects throughout the world. Marlon polycarbonate can withstand temperature extremes from -40°C to 100°C (-40 to 212°F) long term and up to 130°C short term. No other glazing material can offer this combination of impact resistance and wide working temperature range.

## UV Protection



Our modular polycarbonate panels are co-extruded with a UV absorption layer. This protective layer prevents damaging UV radiation from penetrating the sheet for long term optical clarity and mechanical strength.

## Chemical Resistance



Polycarbonate has good resistance to many chemicals (with the exception of solvents and strong alkalis) so is often suitable for use in aggressive environments.

## Fire Performance



Our Marlon Clickfix and Marlon Toploc systems exhibit excellent fire performance and in the event of a fire it will soften and open, allowing smoke, heat and gases produced by the fire to escape. This 'venting' property means that damage within buildings can be limited. For details of fire ratings please contact our Technical department.

## Warranty



Marlon Clickfix and Marlon Toploc are manufactured under Quality Management Systems registered to BS EN ISO 9001:2015. The panels carry a limited warranty. For full details please contact our Technical department.

## Testing



Systems are designed and tested to the relevant industry standards and performance criteria. For further information please contact our Technical department.

## Marlon BioPlus



Marlon BioPlus, made with bio-circular attributed resin, is available across the entire Marlon range. Its material and processing properties are identical to the standard product.

Properties	Test Method	Value	Units
Mechanical	Tensile strength at yield	DIN 53455	>60 MPa
	Tensile strength at break	DIN 53455	>70 MPa
	Modulus of elasticity	DIN 53457	>2300 MPa
Physical	Specific gravity	DIN 53479	1.20 g/m <sup>3</sup>
	Softening temperature - Vicat 'B'	DIN53460	148 °C
Thermal	Linear thermal expansion	DIN53752	6.8 x 10 <sup>-5</sup> m/m.K
	Maximum service temperature	Permanent	100 °C
	- no loading	Short term	130 °C

# Polycarbonate General Guidelines

## Sealing

It is recommended that the ends of the Marlon Clickfix and Marlon Toploc panels are sealed to minimise the build-up of moisture or dust contamination within the channels. A sealing tape, preferably aluminium, is applied at the top of the panel to prevent ingress of moisture, dust and insects. A breather tape applied to the bottom end of the panel permits air to move freely in and out of the panel, helping minimise condensation. Panels can be supplied pre-taped and cut to specific length to help reduce installation time.

## Thermal Expansion

In practical terms it is necessary to allow 3.5mm per linear metre between the top edge of the panel and the glazing profile.

## Cleaning

As a condition of ensuring that Marlon Clickfix and Marlon Toploc panels perform at optimum throughout their service life, it is recommended that the panels be cleaned periodically using suitable household cleaning agents as follows:

- Use lukewarm water to rinse the panels and soften dirt.
- Make up a solution of lukewarm water and ordinary household cleaner or a mild soap and use this to wash the panels.
- A sponge or soft cloth should then be used to gently remove dirt and grime.
- The cleaning process should then be repeated and the panel rinsed and dried with a soft cloth.
- For larger areas clean the surface with a high-pressure water cleaner.

## Warning

Care should be taken to observe the following precautions:

1. Do not scrub Marlon modular multiwall panels with brushes or sharp instruments.
2. Avoid any abrasives or cleaners of a highly alkaline composition.
3. It is generally advisable in all instances to test any cleaner on a sample piece of the Marlon modular multiwall panels first and it should also be remembered that cleaners and solvents which state that they are suitable for cleaning polycarbonate may not be safe for use on the UV protective surface of the panels.

Note: Project installation and assemblies throughout the brochure are for illustration only, each project must be independently assessed and suitably specified to meet local building codes and resist all environmental loads. Contact the technical department for further information. All support, flashing, fixings & installation to be specified and supplied by others.



## Head Office & Global Sales

1747/0624

Brett Martin Ltd  
24 Roughfort Road  
Newtonabbey, Co. Antrim  
Northern Ireland, BT36 4RB

t: +44 (0) 28 9084 9999  
f: +44 (0) 28 9083 6666  
e: [technical@brettmartin.com](mailto:technical@brettmartin.com)  
[commercial@brettmartin.com](mailto:commercial@brettmartin.com)

---

## UAE

Brett Martin DWC LLC  
Dubai World Central  
Business Centre, PO Box 390667  
Dubai, UAE

t: +971 52 866 5494  
e: [waqaskhawaja@brettmartin.com](mailto:waqaskhawaja@brettmartin.com)

---

## UK & ROI

Brett Martin Daylight Systems Ltd  
Sandford Close  
Aldermans Green Industrial Estate  
Coventry, West Midlands  
England, CV2 2QU

t: +44 (0) 24 7660 2022  
f: +44 (0) 24 7660 2745  
e: [daylight@brettmartin.com](mailto:daylight@brettmartin.com)

---

For the latest information visit  
**[brettmartin.com](http://brettmartin.com)**

All reasonable care has been taken in the compilation of the information contained within this literature. All recommendations on the use of our products are made without guarantee, as conditions of use are beyond the control of Brett Martin. It is the customer's responsibility to ensure that the product is fit for its intended purpose and that the actual conditions of use are suitable. Brett Martin pursues a policy of continuous product development and reserves the right to amend specifications without prior notice. Comprehensive sales and technical literature is available for each product range.

